

Para visitar nuestra Web pulse aquí: <http://www.borjavalves.com>
Please, click here to access:

Contacte con nosotros: borja@bombasborja.com
Contact us:



CAPUCHONES MODELOS "A", "B" y "D"

SQUARE CAPS "A", "B" and "D" TYPE

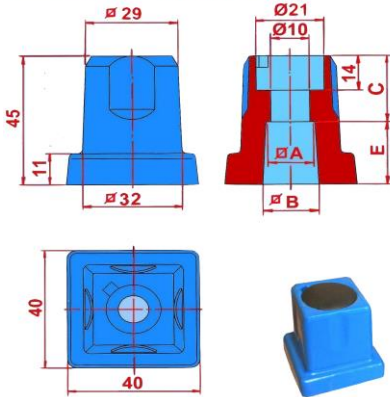
| DENOMINACIÓN NAME | MATERIAL MATERIAL | NORMA NORM |
|------------------------|----------------------------------|--------------------------|
| CAPUCHÓN SQUARE CAP | Fundición dúctil Ductile iron | EN-GJS-500-7 (GGG-50) |

CAPUCHÓN MODELOS "C"

SQUARE CAP "C" TYPE

| DENOMINACIÓN NAME | MATERIAL MATERIAL | NORMA NORM |
|------------------------|-----------------------------|-----------------------|
| CAPUCHÓN SQUARE CAP | Fundición gris Cast iron | EN-GJL-250 (GG-25) |

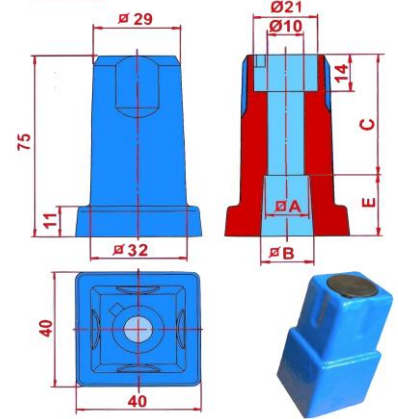
MODELO A: TYPE A:



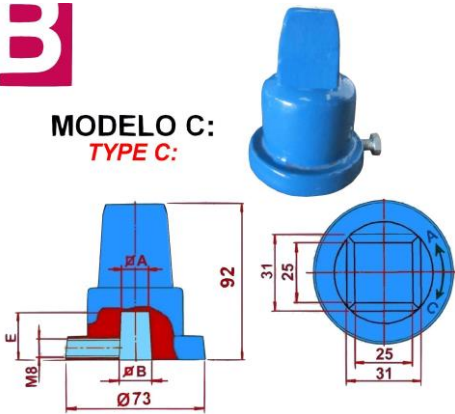
DIMENSIONES DIMENSIONS

| Mod. Type | DN Size | ∠ A | ∠ B | C | E | Peso Kg. Weight |
|--------------|------------|------|------|----|----|--------------------|
| A | 40 | 14 | 16.5 | 23 | 22 | 0.4 |
| | 50 | 14 | 16.5 | 23 | 22 | 0.4 |
| A | 65 | 17 | 20 | 19 | 26 | 0,4 |
| | 80 | 17 | 20 | 19 | 26 | 0,4 |
| A | 100 | 19 | 22 | 17 | 28 | 0.4 |
| | 125 | 19 | 22 | 17 | 28 | 0.4 |
| B | 150 | 19 | 22 | 17 | 28 | 0.4 |
| | 200 | 23.5 | 27.5 | 41 | 34 | 0.8 |
| B | 250 | 27 | 30.5 | 41 | 34 | 0.8 |
| | 300 | 27 | 30.5 | 41 | 34 | 0.8 |
| C | 350 | 30 | 31.5 | - | 35 | 1.2 |
| | 400 | 30 | 31.5 | - | 35 | 1.2 |
| D | 450 | 30 | 31.5 | - | 35 | 1.2 |
| | 500 | 36 | 38 | - | 40 | 1.5 |
| D | 600 | 36 | 38 | - | 40 | 1.5 |

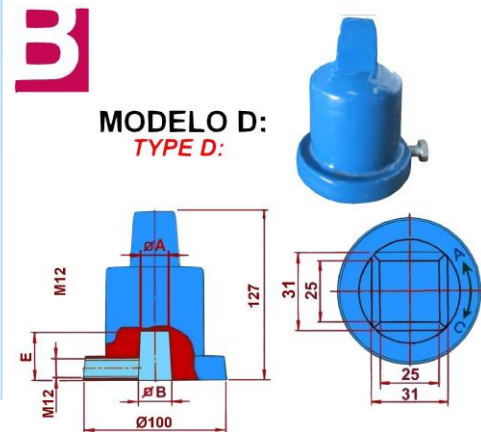
MODELO B: TYPE B:



MODELO C: TYPE C:



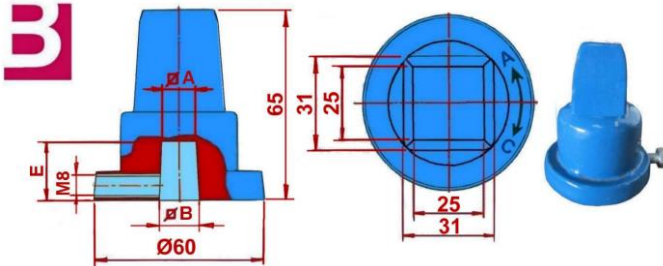
MODELO D: TYPE D:



Medidas en mm.
Measures in mm.

CAPUCHONES PARA VÁLVULA DE COMPUERTA CIERRE ELÁSTICO EXTREMOS ROSCADOS FIG.53

SQUARE CAPS FOR THREADED ENDS GATE VALVE WITH RUBBER LINED WEDGE FIG.53



CAPUCHÓN FIG.53 FIG.53 SQUARE CAP

| DENOMINACIÓN NAME | MATERIAL MATERIAL | NORMA NORM |
|------------------------|-----------------------------|-----------------------|
| CAPUCHÓN SQUARE CAP | Fundición gris Cast iron | EN-GJL-250 (GG-25) |

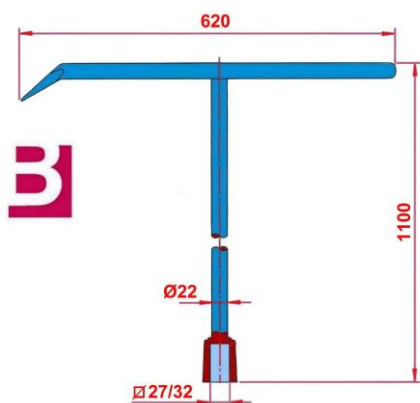
DIMENSIONES CAPUCHONES FIG.53 FIG.53 SQUARE CAP DIMENSIONS

| Mod. Type | DN Size | ∠ A | ∠ B | E | Peso Kg. Weight |
|--------------|------------|-----|-----|----|--------------------|
| C | 20 | 9 | 11 | 20 | 0.9 |
| | 25 | 9 | 11 | 20 | 0.9 |
| C | 32 | 10 | 12 | 20 | 0.9 |
| | 40 | 10 | 12 | 20 | 0.9 |
| | 50 | 10 | 12 | 20 | 0.9 |

Medidas en mm.
Measures in mm.

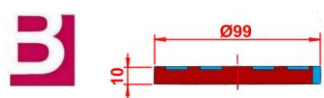
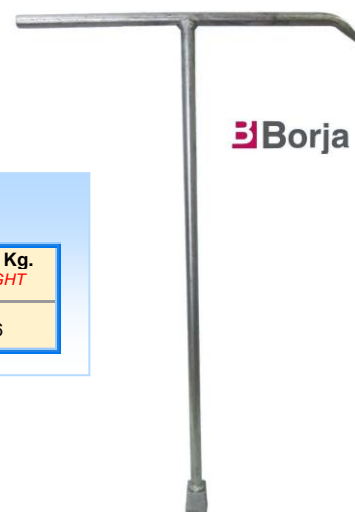
CAPUCHONES, LLAVE EN "T" Y ARQUETA PARA VÁLVULAS DE COMPUERTA CIERRE ELÁSTICO FIG.50 Y FIG.53

SQUARE CAPS, "T" KEY AND STREET FLOOR FOR GATE VALVES WITH RUBBER LINED WEDGE FIG.50 AND FIG.53



Medidas en mm.
Measures in mm.

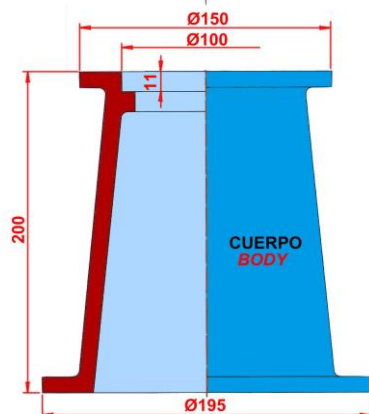
| LLAVE EN "T" "T" KEY | | | |
|----------------------------|---------------------------------------|---------------|--------------------|
| DENOMINACIÓN NAME | MATERIAL MATERIAL | NORMA NORM | Peso Kg. WEIGHT |
| LLAVE EN "T" SQUARE CAP | Acero galvanizado Galvanized steel | - | 6 |



TAPA
BONNET



Medidas en mm.
Measures in mm.



ARQUETA STREET FLOOR

| DENOMINACIÓN NAME | MATERIAL MATERIAL | NORMA NORM | Peso Kg. WEIGHT |
|----------------------|-----------------------------|-----------------------|--------------------|
| CUERPO BODY | Fundición gris Cast iron | EN-GJL-250 (GG-25) | 7 |
| TAPA BONNET | Fundición gris Cast iron | EN-GJL-250 (GG-25) | 0,5 |

Borja



MONTAJE CAPUCHONES, LLAVE EN "T" Y ARQUETA (ESQUEMA)

SQUARE CAPS, "T" KEY AND STREET FLOOR (ARRANGEMENT)

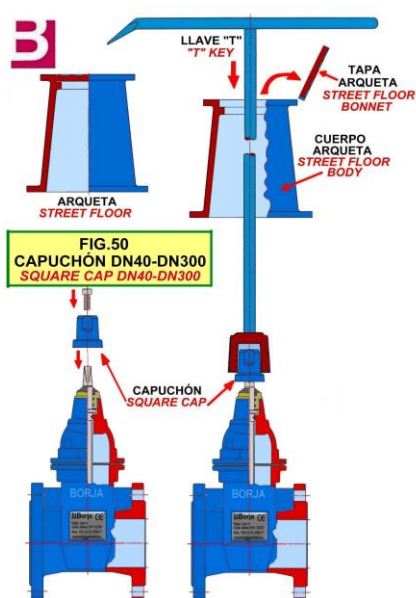


FIG.50
CAPUCHÓN DN40-DN300
SQUARE CAP DN40-DN300

