

Para visitar nuestra Web pulse aquí: <http://www.borjavalves.com>
Please, click here to access:

Contacte con nosotros: borja@bombasborja.com
Contact us:

- Dimensiones brida y orificios según:
DIN 2576 PN10, DIN 2502 PN16 y DIN2503 PN25.

- Flange dimensions and holes according to:
DIN 2576 PN10, DIN 2502 PN16 and DIN 2503 PN25.

OPCIONES

- Bridas y virolas en otras calidades (AISI 304, AISI 316,...)

OPTIONS

- Flanges and pipes available in other materials (AISI 304, AISI 316,...)

CARACTERÍSTICAS

- Facilita el montaje y desmontaje de válvulas, bombas y demás elementos de instalaciones de bombeo y suministro.
- Bridas y tubos con recubrimiento Epoxy.
- Las varillas roscadas (*tirantes*) con las respectivas tuercas que utilizan para la fijación del conjunto se suministran a parte como *opción*.
- Campo de utilización NBR: De -1 a 16 bar y de -10 a 80 °C.

CHARACTERISTICS

- The dismantling joint enables easy installation and dismantling of isolating valves, not return valves, low metering equipment, pumps etc.
- Flanges and tubes with Epoxy coating.
- Threaded rod and nuts are not included in the dismantling joint, it is an option.
- Working conditions NBR: From -1 to 16 bar, from -10 to 80 °C.

APLICACIONES:

- Se utilizan en líneas de distribución de aguas residuales y otro tipo de fluidos.

APPLICATIONS:

- For water, sewage and neutral liquids.



Opción: Con tirantes.
Option: With threaded rods.



FIG.80
Ø50-Ø2000

CONSTRUCCIÓN CONSTRUCTION

| Nº | DENOMINACIÓN NAME | MATERIAL MATERIAL | CANT. QTY. | NORMA NORM |
|----|-------------------------------------|-------------------------------------|---------------|---------------|
| 1 | BRIDAS DIN DIN FLANGES | Acero carbono Carbon steel | 2 | ST 37 |
| 2 | TUBO HEMBRA OUTER TUBE | Acero Inoxidable Stainless steel | 1 | AISI 304 |
| 3 | TUBO MACHO INNER TUBE | Acero Inoxidable Stainless steel | 1 | AISI 304 |
| 4 | BRIDAS INTERIOR INTERNAL FLANGES | Ac. Carbono Carbon steel | 2 | ST 37 |
| 5 | JUNTA TORICA SEALING RING | NBR | 1 | - |

CARACTERÍSTICAS DE EMPLEO Y ENSAYO SEGÚN EN 12266-1

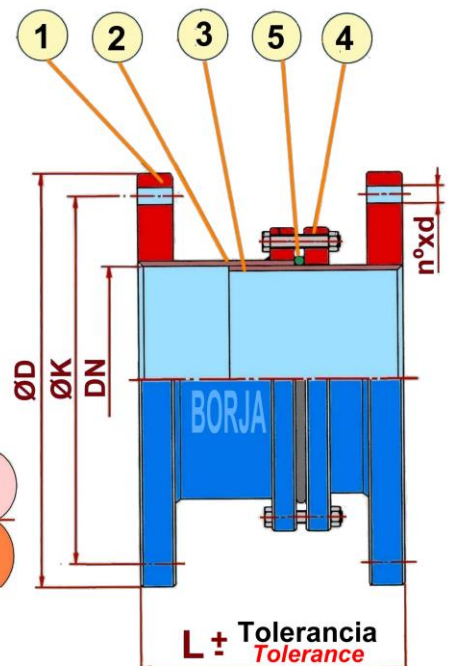
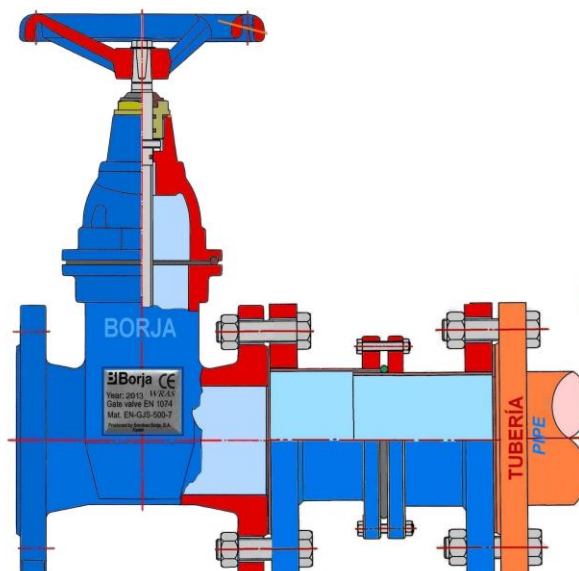
TEST AND EMPLOYMENT CHARACTERISTICS ACCORDING EN 12266-1

| Pasos nominales Sizes | Resistencia / tirantez cubierta Shell strength tightness | Presión de trabajo Working pressure |
|--|---|--|
| De Ø50 a Ø400 From Ø50 to Ø400 | 24 Kg/cm ² | 16 Kg/cm ² |
| De Ø450 a Ø600 From Ø450 to Ø600 | 15 Kg/cm ² | 10 Kg/cm ² |
| De Ø700 a Ø1000 From Ø700 to Ø1000 | 9 Kg/cm ² | 6 Kg/cm ² |
| De Ø1100 a Ø2000 From Ø1100 to 2000 | 7 Kg/cm ² | 4,5 Kg/cm ² |

DIMENSIONES DIMENSIONS

| DN Size | L | Tolerancia Tolerance | ØD | | | ØK | | | n°xd | | | Peso(Kg) Weight | |
|------------|-----|-------------------------|------|------|-------------------------|------|------|-------------------------|--------|-------|-------------------------|-------------------------|-------------------------|
| | | | PN10 | PN16 | PN25 | PN10 | PN16 | PN25 | PN10 | PN16 | PN25 | PN10 | PN16 |
| 50 | 180 | ± 30 | 165 | 165 | 165 | 125 | 125 | 125 | 4x18 | 4x18 | 4x18 | 6 | 6 |
| 65 | 180 | ± 30 | 185 | 185 | 185 | 145 | 145 | 145 | 4x18 | 4x18 | 8x18 | 8 | 8 |
| 80 | 180 | ± 30 | 200 | 200 | 200 | 160 | 160 | 160 | 8x18 | 8x18 | 8x18 | 10 | 10 |
| 100 | 180 | ± 30 | 220 | 220 | 235 | 180 | 180 | 190 | 8x18 | 8x18 | 8x23 | 11 | 11 |
| 125 | 180 | ± 30 | 250 | 250 | 270 | 210 | 210 | 220 | 8x18 | 8x18 | 8x27 | 13 | 13 |
| 150 | 180 | ± 30 | 285 | 285 | 300 | 240 | 240 | 250 | 8x23 | 8x23 | 8x27 | 16 | 16 |
| 200 | 200 | ± 40 | 340 | 340 | 360 | 295 | 295 | 310 | 8x23 | 12x23 | 12x27 | 24 | 25 |
| 250 | 215 | ± 40 | 395 | 405 | 425 | 350 | 355 | 370 | 12x23 | 12x27 | 12x30 | 30 | 32 |
| 300 | 225 | ± 40 | 445 | 460 | 485 | 400 | 410 | 430 | 12x23 | 12x27 | 16x30 | 38 | 40 |
| 350 | 240 | ± 40 | 505 | 520 | 555 | 460 | 470 | 490 | 16x23 | 16x27 | 16x33 | 55 | 57 |
| 400 | 240 | ± 40 | 565 | 580 | 620 | 515 | 525 | 550 | 16x27 | 16x30 | 16x36 | 71 | 73 |
| 450 | 240 | ± 40 | 615 | 640 | 670 | 565 | 585 | 600 | 20x27 | 20x30 | 20x36 | 80 | 82 |
| 500 | 240 | ± 40 | 670 | 715 | 730 | 620 | 650 | 660 | 20x27 | 20x33 | 20x36 | 100 | 125 |
| 600 | 300 | ± 50 | 780 | 840 | 845 | 725 | 770 | 770 | 20x30 | 20x36 | 20x39 | 130 | 170 |
| 700 | 300 | ± 50 | 895 | 910 | 960 | 840 | 840 | 875 | 24x30 | 24x36 | 24x42 | 190 | 210 |
| 800 | 300 | ± 50 | 1015 | 1025 | 1085 | 950 | 950 | 990 | 24x33 | 24x39 | 24x48 | 205 | 240 |
| 900 | 300 | ± 50 | 1115 | 1125 | 1185 | 1050 | 1050 | 1090 | 28x33 | 28x39 | 28x48 | 250 | 300 |
| 1000 | 300 | ± 50 | 1230 | 1255 | 1320 | 1160 | 1170 | 1210 | 28x36 | 28x42 | 28x56 | 300 | 400 |
| 1100 | 300 | ± 50 | 1340 | 1355 | 1425 | 1270 | 1270 | 1310 | 28x 36 | 32x42 | 32x56 | Consultar To consult | Consultar To consult |
| 1200 | 300 | ± 50 | 1455 | 1485 | 1530 | 1380 | 1390 | 1420 | 32x39 | 32x48 | 32x56 | Consultar To consult | Consultar To consult |
| 1300 | 300 | ± 50 | 1575 | 1585 | 1645 | 1490 | 1490 | 1530 | 32x42 | 32x48 | 32x56 | Consultar To consult | Consultar To consult |
| 1400 | 300 | ± 50 | 1675 | 1685 | 1755 | 1590 | 1590 | 1640 | 36x42 | 36x48 | 36x62 | Consultar To consult | Consultar To consult |
| 1500 | 300 | ± 50 | 1785 | 1820 | 1865 | 1700 | 1710 | 1750 | 36x42 | 36x56 | 36x62 | Consultar To consult | Consultar To consult |
| 1600 | 300 | ± 50 | 1915 | 1930 | 1975 | 1820 | 1820 | 1860 | 40x48 | 40x56 | 40x62 | Consultar To consult | Consultar To consult |
| 1700 | 300 | ± 50 | 2015 | 2030 | Consultar To consult | 1920 | 1920 | Consultar To consult | 40x48 | 44x56 | Consultar To consult | Consultar To consult | Consultar To consult |
| 1800 | 300 | ± 50 | 2115 | 2130 | 2195 | 2020 | 2020 | 2070 | 44x48 | 44x56 | 44x70 | Consultar To consult | Consultar To consult |
| 2000 | 300 | ± 50 | 2325 | 2345 | 2425 | 2230 | 2230 | 2300 | 48x48 | 48x62 | 48x70 | Consultar To consult | Consultar To consult |

Medidas en mm.
Measures in mm.



| Nº | DENOMINACIÓN NAME |
|----|-------------------------------------|
| 1 | BRIDAS DIN DIN FLANGES |
| 2 | TUBO HEMBRA OUTER TUBE |
| 3 | TUBO MACHO INNER TUBE |
| 4 | BRIDAS INTERIOR INTERNAL FLANGES |
| 5 | JUNTA TORICA SEALING RING |