

#### CAPUCHONES MODELOS "A" y "B"

##### SQUARE CAPS "A" and "B" TYPE

DENOMINACIÓN NAME	MATERIAL MATERIAL	NORMA NORM
CAPUCHÓN SQUARE CAP	Fundición dúctil Ductile iron	EN-GJS-500-7 (GGG-50)

#### CAPUCHÓN MODELOS "C", "D" y "E"

##### SQUARE CAP "C", "D" and "E" TYPE

DENOMINACIÓN NAME	MATERIAL MATERIAL	NORMA NORM
CAPUCHÓN SQUARE CAP	Fundición gris Cast iron	EN-GJL-250 (GG-25)

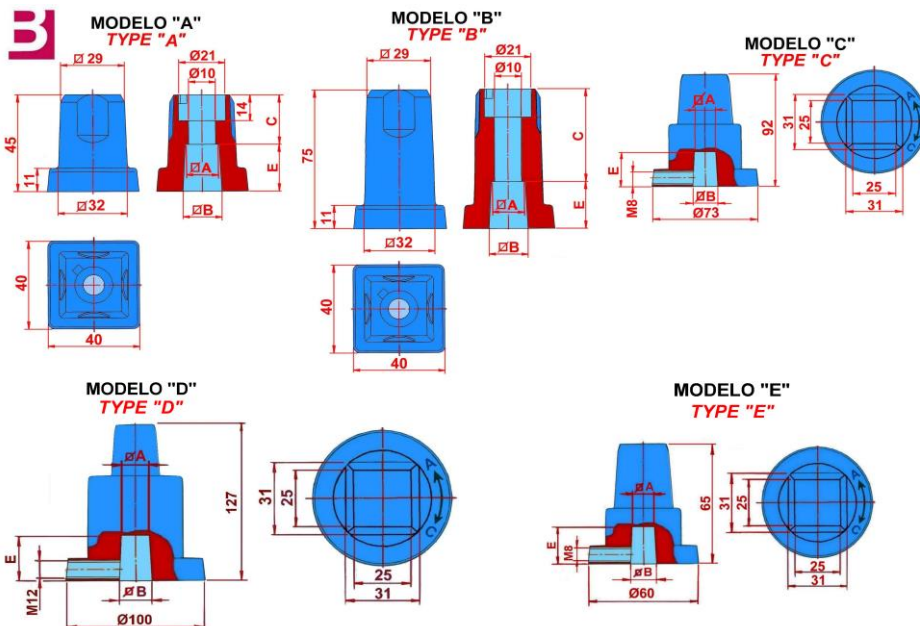


#### DIMENSIONES

##### DIMENSIONS

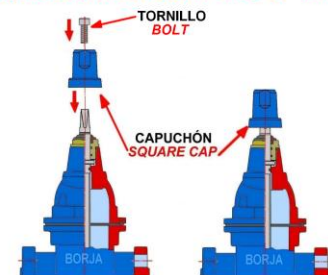
Mod. Type	∅ A	∅ B	C	E	Para For FIG.48 DN Size	Para For FIG.50 DN Size	Para For FIG.52 DN Size	Para For FIG.53 DN Size	Para For FIG.59 DN Size	Peso Kg. Weight
A	14	16.5	23	22	40 50	40 50	40 50		40 50 65 80	0.4
A	17	20	19	26	65 80	65 80	65 80		100	0.4
A	19	22	17	28	100 125 150	100 125 150	100 125 150		125 150 200	0.4
B	23.5	27.5	41	34	200	200	200		250	0.8
B	27	30.5	41	34	250 300	250 300	250 300		300	0.8
C	30	31.5	-	35		350 400			350	1.2
D	36	38	-	40		450 500 600				1.5
E	9	11	-	20				20	25	0.9
E	10	12	-	20				20 25 32 40 50		0.9

Medidas en mm.  
Measures in mm.



#### MONTAJE CAPUCHON MODELO: "A" y "B"

##### SQUARE CAP ASSEMBLY: "A" & "B" TYPE



#### MONTAJE CAPUCHON MODELO: "C", "D", y "E"

##### SQUARE CAP ASSEMBLY: "C", "D" & "E" TYPE

