



**FIG.18**  
**G3"-G4"**

#### OPCIONES

- Con junta cierre en NBR / EPDM.

#### OPTIONS

- With sealing joint in NBR / EPDM.

#### CONSTRUCCIÓN

#### CONSTRUCTION

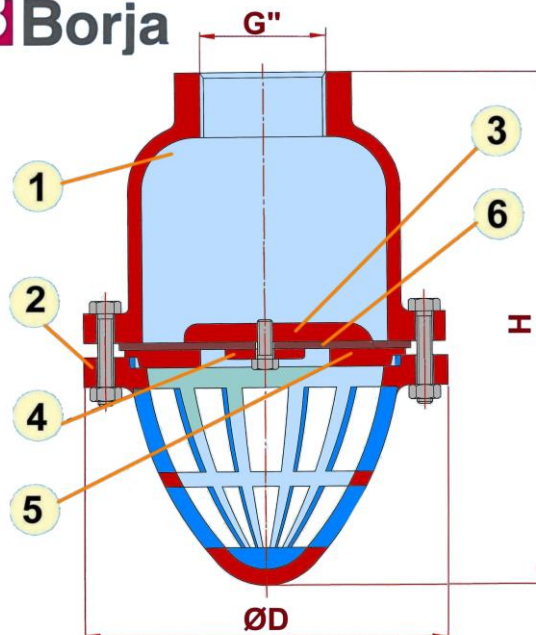
| Nº | DENOMINACIÓN<br>NAME             | MATERIAL<br>MATERIAL        | CANT.<br>QTY. | NORMA<br>NORM       |
|----|----------------------------------|-----------------------------|---------------|---------------------|
| 1  | CABEZAL<br>BODY                  | Fundición gris<br>Cast iron | 1             | EN-GJL-250<br>GG-25 |
| 2  | COLADOR<br>STRAINER              | Fundición gris<br>Cast iron | 1             | EN-GJL-250<br>GG-25 |
| 3  | CONTRAPESO GRANDE<br>BIG DISK    | Fundición gris<br>Cast iron | 1             | EN-GJL-250<br>GG-25 |
| 4  | CONTRAPESO PEQUEÑO<br>SMALL DISK | Fundición gris<br>Cast iron | 1             | EN-GJL-250<br>GG-25 |
| 5  | ARO<br>SEAT                      | Fundición gris<br>Cast iron | 1             | EN-GJL-250<br>GG-25 |
| 6  | JUNTA CIERRE<br>SEALING JOINT    | Cuero<br>Leather            | 1             | -                   |

#### DIMENSIONES

#### DIMENSIONS

| G" | H   | ØD  | Peso (Kg)<br>Weight |
|----|-----|-----|---------------------|
| 3" | 240 | 200 | 6                   |
| 4" | 320 | 235 | 13                  |

Medidas en mm.  
Measures in mm.



| Nº | DENOMINACIÓN<br>NAME             |
|----|----------------------------------|
| 1  | CABEZAL<br>BODY                  |
| 2  | COLADOR<br>STRAINER              |
| 3  | CONTRAPESO GRANDE<br>BIG DISK    |
| 4  | CONTRAPESO PEQUEÑO<br>SMALL DISK |
| 5  | ARO<br>SEAT                      |
| 6  | VÁLVULA CUERO<br>SEALING JOINT   |